

CLEVIS HANGERS

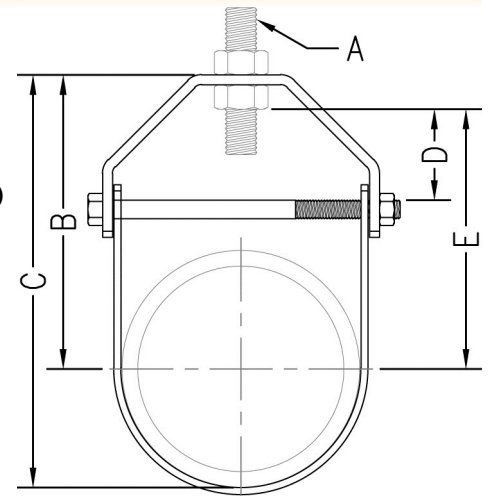


COPPER TUBING CLEVIS HANGER

FIG. 442

- Function:** Designed for the suspension of non-insulated stationary copper tubing.
- Material:** Carbon steel
- Finish:** Copper Color Epoxy Finish
- Approvals:** Complies with Federal Specifications A-A-1192A (Type 1) and Manufacturers' Standardization Society ANSI/MSS SP-58 (Type 1) which supersedes ANSI/MSS SP-69.
- Ordering:** Specify figure number and tube size.

NOTE: Use of an upper locknut ensures proper performance.



Tube Size		Rod Size A	B		C		Adjustment D		E		Cross Bolt	Max. Rec. Load		Wt. Each	
												lbs.	kN	lbs.	kg
1/2	(15)	3/8	1 7/8	(47.63)	2 3/16	(55.56)	1/2	(12.70)	1 1/8	(28.58)	1/4	150	(0.67)	.12	(.05)
3/4	(20)	3/8	1 3/4	(44.45)	2 1/8	(53.98)	1/2	(12.70)	1	(25.40)	1/4	250	(1.11)	.12	(.05)
1	(25)	3/8	1 13/16	(46.04)	2 5/16	(58.74)	1/2	(12.70)	1 1/16	(26.99)	1/4	250	(1.11)	.13	(.06)
1 1/4	(32)	3/8	2 1/8	(53.98)	2 3/4	(69.85)	3/4	(19.05)	1 5/16	(33.34)	1/4	250	(1.11)	.15	(.07)
1 1/2	(40)	3/8	2 1/2	(63.50)	3 1/4	(82.55)	15/16	(23.81)	1 3/4	(44.45)	1/4	250	(1.11)	.17	(.08)
2	(50)	3/8	2 15/16	(74.61)	4	(101.60)	1 1/16	(26.99)	2 3/16	(55.56)	1/4	250	(1.11)	.24	(.11)
2 1/2	(65)	1/2	4 7/8	(123.83)	5 3/4	(146.05)	2 1/16	(52.39)	3 3/8	(85.73)	1/4	350	(1.56)	.69	(.31)
3	(80)	1/2	4 1/2	(114.30)	6 1/8	(155.58)	2	(50.80)	3 7/16	(87.31)	1/4	350	(1.56)	.77	(.35)
3 1/2	(90)	1/2	4 3/4	(120.65)	6 1/2	(165.10)	1 13/16	(46.04)	3 11/16	(93.66)	1/4	350	(1.56)	.89	(.40)
4	(100)	1/2	5 7/8	(149.23)	7 7/8	(200.03)	2 9/16	(65.09)	4 3/4	(120.65)	5/16	400	(1.78)	.91	(.41)
5	(125)	5/8	5 7/8	(149.23)	8 3/4	(222.25)	1 5/8	(41.28)	4 3/4	(120.65)	3/8	550	(2.45)	1.90	(.86)
6	(150)	5/8	6 1/16	(153.99)	9	(228.60)	1 1/2	(38.10)	4 3/4	(120.65)	3/8	550	(2.45)	2.20	(1.00)

Adjustment "D" (Top of cross bolt to bottom of hanger rod nut.)